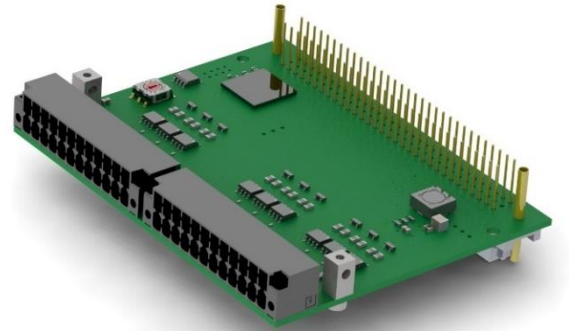


13. COP-SSI (Encoder Module)

COP-SSI 611143000

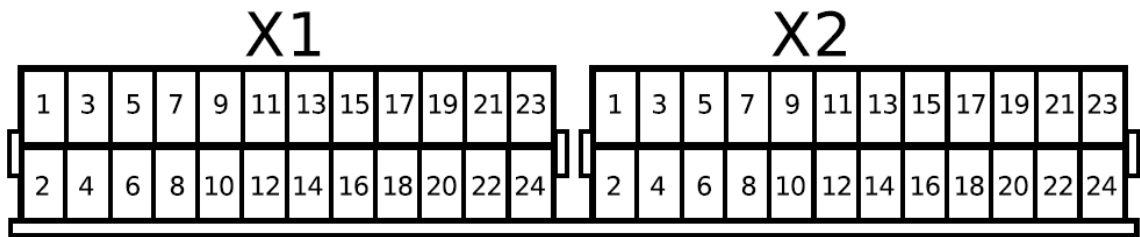
The COP-SSI module has a total of six Interfaces with RS422/RS485 level. They can be used as digital incremental encoder feedbacks at SSI interfaces. In addition, the 5V power supply is led out externally so as, for example, to directly power encoders. Thus, you can do without an extra power source.



13.1. Technical Specifications

Incremental encoder feedback		
Number of possible digital incremental encoder feedbacks with A, B and zero tracks	6	
Level	RS422	
Maximum input frequency	2.5	MHz
Input impedance	120	Ω
SSI Interface		
Number of possible SSI Interfaces	6	
Maximum resolution	32	Bit
Input impedance	120	Ω
Module		
Maximum power consumption at 24V node power supply	200	mA

13.2. Pin Assignment



13.2.1. Incremental encoder feedback pin assignment

X1					
No.	Dir	Id.	Id.	Dir	No.
2	In	Inc 0 A-	Inc 0 A+	In	1
4	In	Inc 0 B-	Inc 0 B+	In	3
6	In	Inc 0 N-	Inc 0 N+	In	5
8		GND	Enc_5V	Out	7
10	In	Inc 1 A-	Inc 1 A+	In	9
12	In	Inc 1 B-	Inc 1 B+	In	11
14	In	Inc 1 N-	Inc 1 N+	In	13
16		GND	Enc_5V	Out	15
18	In	Inc 2 A-	Inc 2 A+	In	17
20	In	Inc 2 B-	Inc 2 B+	In	19
22	In	Inc 2 N-	Inc 2 N+	In	21
24		Shield	Shield		23

X2					
No.	Dir	Id.	Id.	Dir	No.
2	In	Inc 3 A-	Inc 3 A+	In	1
4	In	Inc 3 B-	Inc 3 B+	In	3
6	In	Inc 3 N-	Inc 3 N+	In	5
8		GND	Enc_5V	Out	7
10	In	Inc 4 A-	Inc 4 A+	In	9
12	In	Inc 4 B-	Inc 4 B+	In	11
14	In	Inc 4 N-	Inc 4 N+	In	13
16		GND	Enc_5V	Out	15
18	In	Inc 5 A-	Inc 5 A+	In	17
20	In	Inc 5 B-	Inc 5 B+	In	19
22	In	Inc 5 N-	Inc 5 N+	In	21
24		Shield	Shield		23

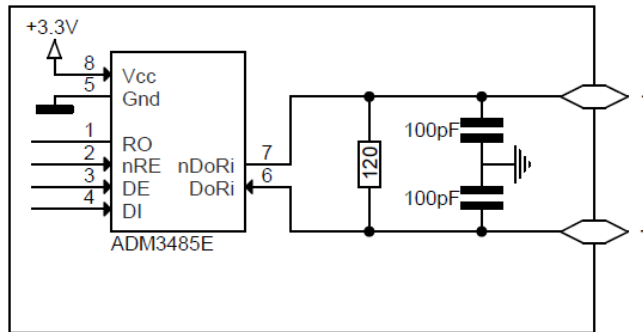
13.2.2. SSI pin assignment

X1					
No.	Dir	Id.	Id.	Dir	No.
2	Out	Clk 0-	Clk 0+	Out	1
4	In	Data 0-	Data 0+	In	3
6					5
8		GND	+5V	Out	7
10	Out	Clk 1-	Clk 1+	Out	9
12	In	Data 1-	Data 1+	In	11
14					13
16		GND	+5V	Out	15
18	Out	Clk 2-	Clk 2+	Out	17
20	In	Data 2-	Data 2+	In	19
22					21
24		Shield	Shield		23

X2					
No.	Dir	Id.	Id.	Dir	No.
2	Out	Clk 3-	Clk 3+	Out	1
4	In	Data 3-	Data 3+	In	3
6					5
8		GND	+5V	Out	7
10	Out	Clk 4-	Clk 4+	Out	9
12	In	Data 4-	Data 4+	In	11
14					13
16		GND	+5V	Out	15
18	Out	Clk 5-	Clk 5+	Out	17
20	In	Data 5-	Data 5+	In	19
22					21
24		Shield	Shield		23

13.3. Hardware Description

RS422 interface



13.3.1. Available Options

Item Number	Label	Option	Description
611143000	COP-SSI		6 SSI/Inc inputs, RS422