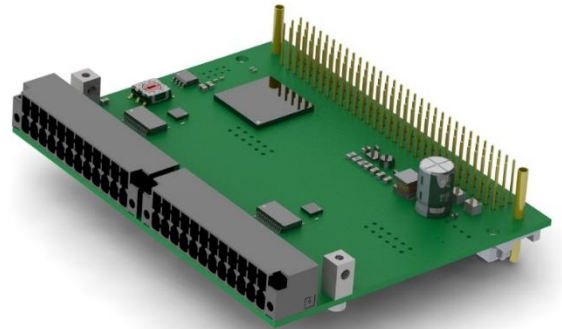


## 25. COP-SIO (Serial IO Interfaces)

COP-SIO 611246100

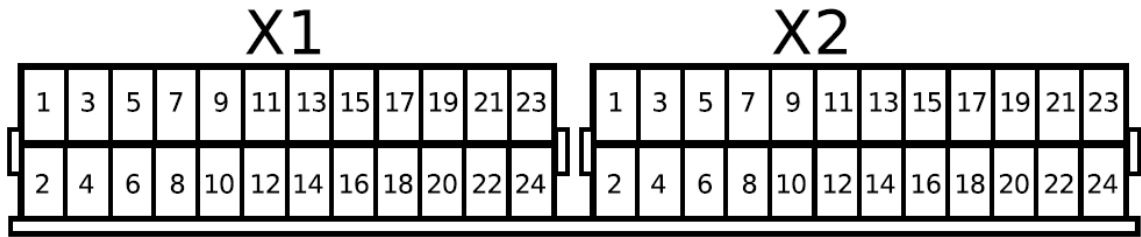
The COP-SIO module enables to integrate up to four SIO interfaces into the Indel system. You can use the software to configure the level of each interface as RS232 or RS422/RS485. For instance, this module allows for operator panels, cameras, sensors and other foreign equipment to be integrated into the Indel system.



### 25.1. Technical Specifications

SIO		
Number of interfaces	4	
RS232		
Baud rate	Up to 115,200	
Data bits	7, 8	
Stop bits	1, 2	
Parity bits	Even, odd, none	
Hardware handshake	DSR, DTR	
Maximum cable length	2	m
RS422/RS485		
Baud rate	Up to 115,200	
Data bits	7, 8	
Stop bits	1, 2	
Parity bits	Even, odd, none	
Hardware handshake	None	
Maximum cable length	1200	m
Module		
Maximum power consumption at 24V node power supply	200	mA

25.2. Pin Assignment

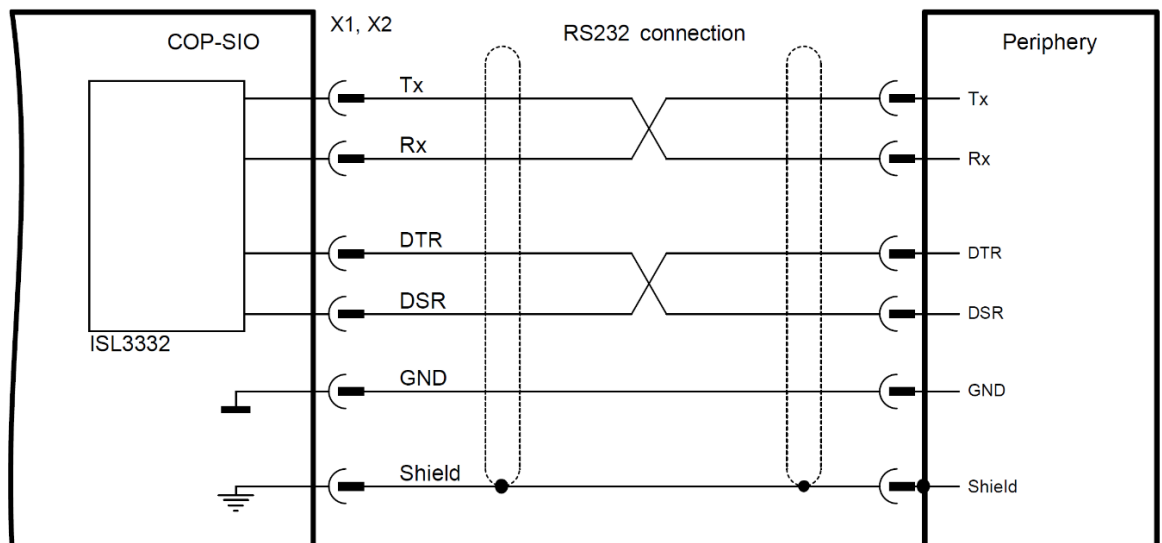


X1					
No.	Dir	Id.	Id.	Dir	No.
2	Out	SIO1 DTR	SIO0 DTR	Out	1
4	Out	SIO1 Tx	SIO0 Tx	Out	3
6	In	SIO1 Rx	SIO0 Rx	In	5
8	In	SIO DSR	SIO0 DSR	In	7
10		GND	GND		9
12	Out	+5V	+5V	Out	11
14		Shield	Shield		13
16					15
18					17
20					19
22					21
24		Shield	Shield		23

X2					
No.	Dir	Id.	Id.	Dir	No.
2	Out	SIO3 DTR	SIO2 DTR	Out	1
4	Out	SIO3 Tx	SIO2 Tx	Out	3
6	In	SIO3 Rx	SIO2 Rx	In	5
8	In	SIO3 DSR	SIO2 DSR	In	7
10		GND	GND		9
12	Out	+5V	+5V	Out	11
14		Shield	Shield		13
16					15
18					17
20					19
22					21
24		Shield	Shield		23

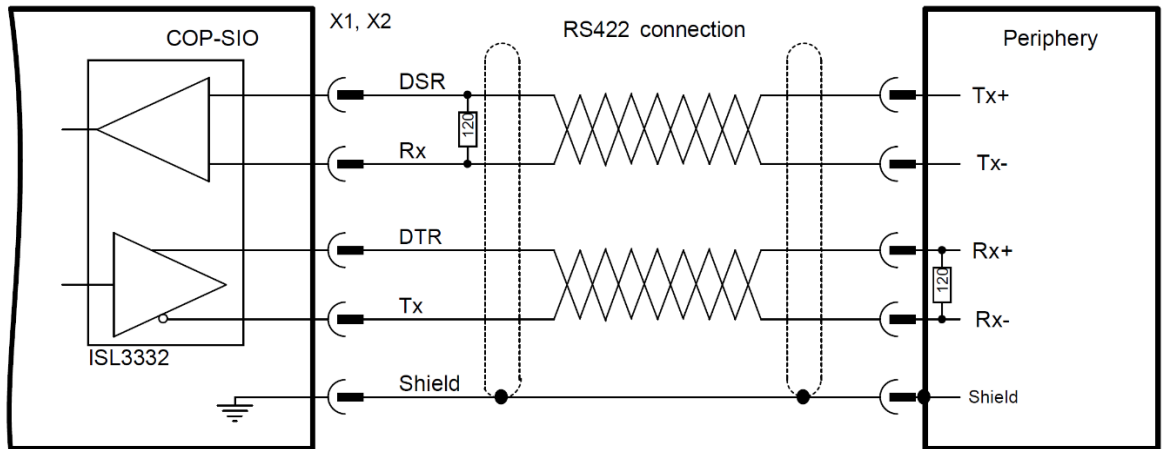
25.3. Connection Examples

RS232



**RS422**

For a RS422 connection, an additional external 120Ω braking resistor must be placed at the receiver.



25.4. **Available Options**

Item Number	Label	Option	Description
611246100	COP-SIO		4 x serial IOs, RS232, RS422, 2400...115'200bauds