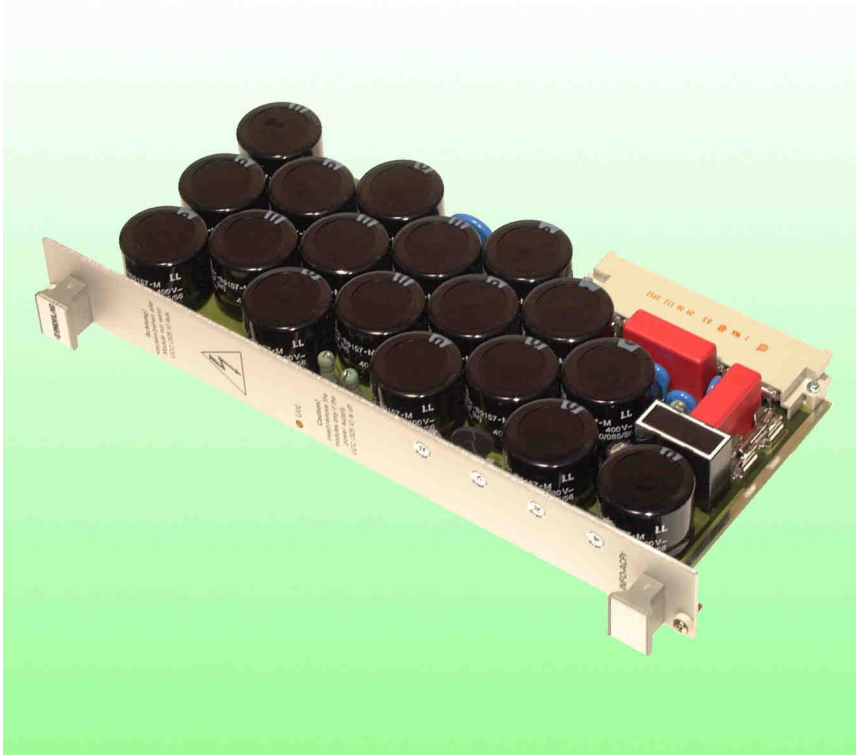


Power Supply for AC-Servo

INFO-AC1r/3r



Power Supply
for
INFO-ACSr

Technical Data

Supply voltage

- 230VAC, 1-phase
- 230VAC, 3-phase

Intermediate circuit voltage

- 325VDC

Power

- 9kW continuous power.

Braking resistor

- IGBT for braking resistor

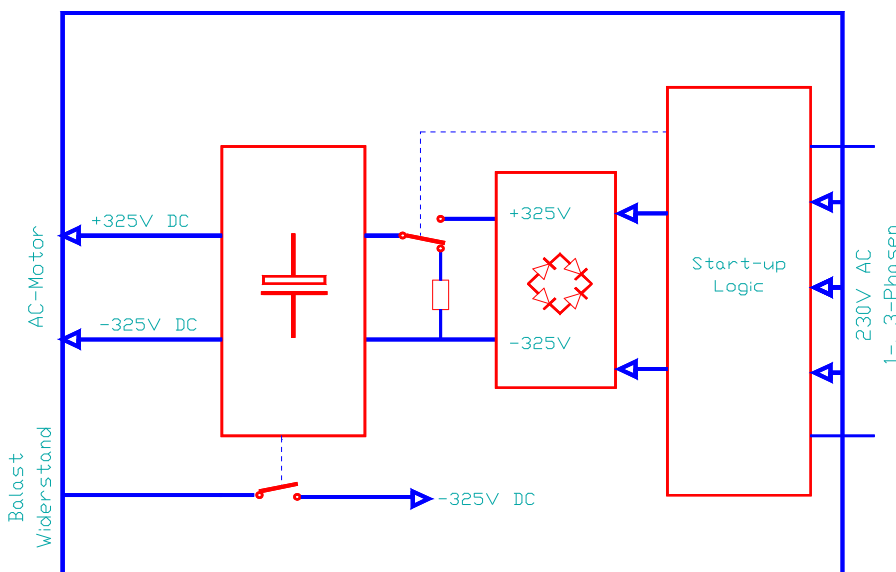
Rectifier

- The rectifier diodes can supply up to 30A continuous current.

The power supply unit provides the 325VDC intermediate voltage that is required for the INFO-ACSr servo controller.

The AC3r power supply unit allows

maximum ten INFO-ACSr-6A or -10A servo controllers or five INFO-ACSr-20A units to be operated. The power supply can be operated either with 1 or 3 phases.



INFO-AC1r/3r

Power Supply for AC-Servo

Function

Power supply

The power supply unit is designed for 230VAC 1-phase or 3-phase operation. The rectifier diodes can supply up to 30A continuous current. (Cooling is necessary!)

The rack must be provided with a line filter immediately after the entry of the power supply.

Activation delay

The activation delay device (soft start) requires approx. 1s to load the 2400µF capacitors. Then, a relay contact bridges the loading resistor (NTC, 75Ω).

Controller enable

The motors are not allowed to draw current before elapse of a bridging time of 1s.

If the motors draw current before the relay has switched through, this may result in the destruction of the power supply unit!

Braking resistor

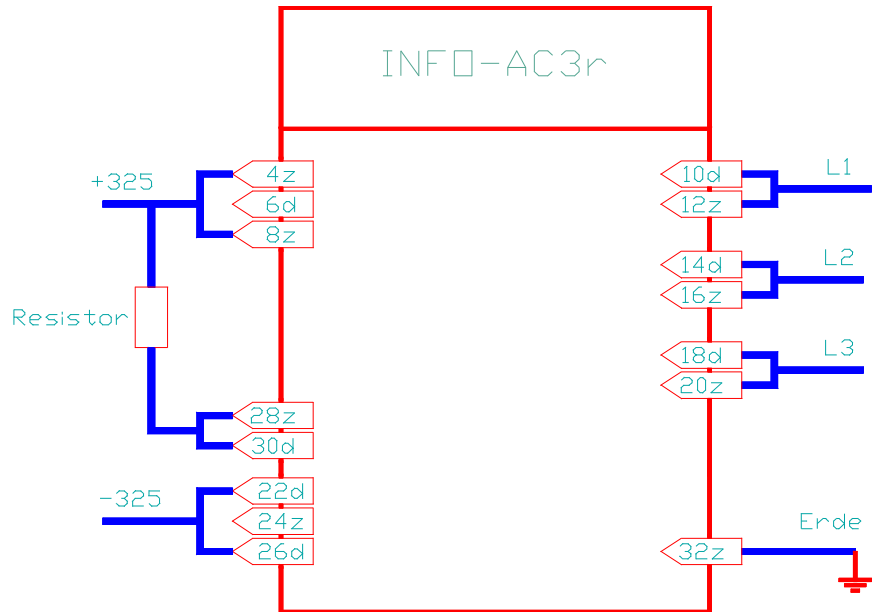
If required, an additional braking resistor can be connected. There is NO braking resistor on board.

Option

The power supply for 1-phase operation is available with higher capacitor voltage. $U_c = 450V$.

See also "Manual for AC-Servo Controllers".

Connections



INFO-AC1r

	d	z
4		O + 325 V
6	O + 325 V	O + 325 V
8		O + 325 V
10	NC	
12		NC
14	I L1	I L1
16		I L1
18	I N	I N
20		I N
22	O - 325 V	O - 325 V
24		O - 325 V
26	O - 325 V	
28		-Balast
30	-Balast	
32		O ERDE

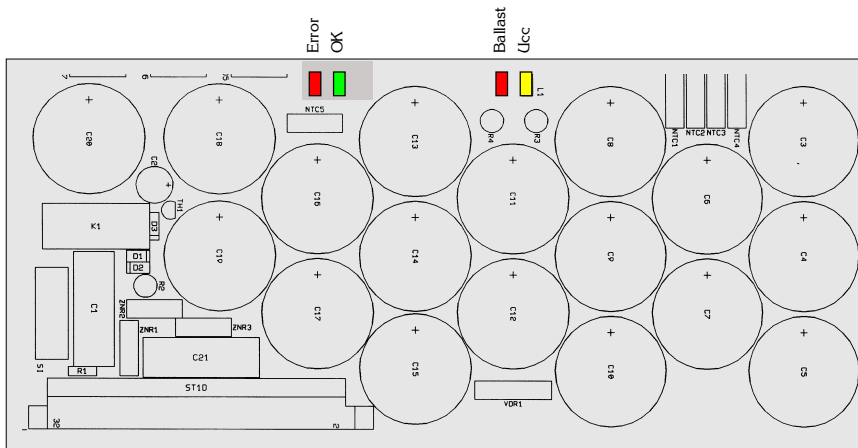
INFO-AC3r

	d	z
4		O + 325 V
6	O + 325 V	O + 325 V
8		O + 325 V
10	L1	
12		L2
14	I L2	I L2
16		I L2
18	I L3	I L3
20		I L3
22	O - 325 V	O - 325 V
24		O - 325 V
26	O - 325 V	
28		-Balast
30	-Balast	
32		O ERDE

Connector 2

angled
DIN41612, Type H-15
6.3mm pins

Assembly



LED (yellow)

The intermediate circuit voltage U_{cc} (325VDC) is indicated by the yellow LED.

Important!

The controller and the power supply unit must not be disconnected before the yellow LED extinguishes!

Specifications

Supply voltage

- 230VAC, 1-, 3-phase, $\pm 10\%$

Climatic conditions

- Ambient temperature:
 - Storage: $-20...+80^{\circ}\text{C}$
 - Operation: $0...+45^{\circ}\text{C}$
- Board temperature:
 - Operation: $0...+70^{\circ}\text{C}$
- Relative air humidity
 - No condensation: 80%

Intermediate circuit voltage

- 325VDC

Power

- 9kW continuous power

Rectifier

- The rectifier diodes can supply up to 30A continuous current.

Braking resistor

- Voltage limit: 385V, $\pm 5\text{V}$
- Braking resistor $> 50\Omega$

Fuzes

- The primary fuze of the power supply unit must be maximum 24A.

